
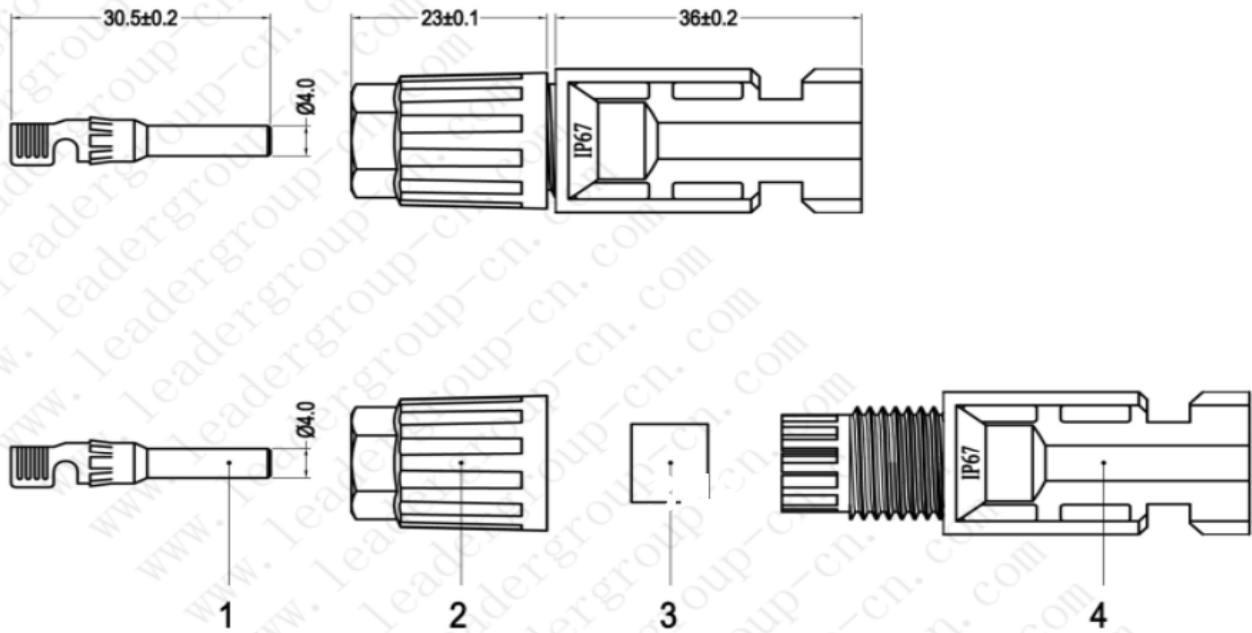
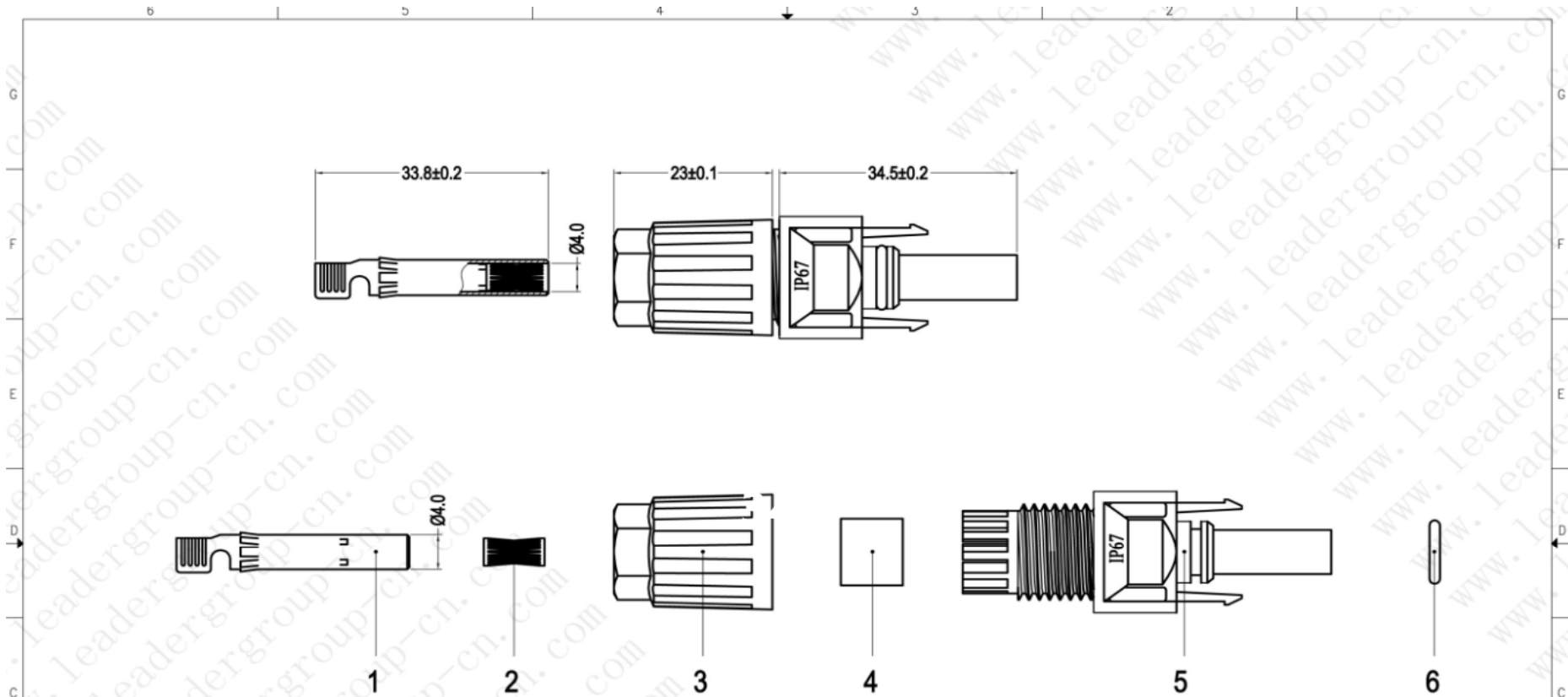


Item	Model No	Picture	Specification	state
No.1	SY-MC4-1		<ul style="list-style-type: none"> 1.Housing material:PPO Material 2.Contact material:Copper with tin plated 3.Suitable for cable corss section: 2.5MM² ~6.0MM² 4.Resistance: Less than 0.3 mΩ 5.Waterproof: IP67 6.Pin dimensions:Ø4mm 7.Flame class: UL94-V0 8.Rated Voltage:TUV 1000V DC/UL 600V DC 9.Rated Current: 20A-30A 10.Protection Class:Class II 11.Pollution Degree: 2 	



4	SY-MC4-1-P01-00	Ø4.0 Cable Male Connector Housing	1	Black	PPO	<table border="1"> <thead> <tr> <th>Dimension</th> <th>Tolerance</th> </tr> </thead> <tbody> <tr> <td>30.00-60.00</td> <td>±0.05</td> </tr> <tr> <td>60.00-90.00</td> <td>±0.05</td> </tr> <tr> <td>90.00-120.00</td> <td>±0.05</td> </tr> <tr> <td>120.00~</td> <td>±0.05</td> </tr> <tr> <th>Angle</th> <td></td> </tr> <tr> <td>0-60°</td> <td>±0.05</td> </tr> <tr> <td>60°~</td> <td>±0.05</td> </tr> </tbody> </table>	Dimension	Tolerance	30.00-60.00	±0.05	60.00-90.00	±0.05	90.00-120.00	±0.05	120.00~	±0.05	Angle		0-60°	±0.05	60°~	±0.05	LEADER TECHNOLOGY (SHENZHEN) CO.,LTMITED APVD: CHK: DWN:	NAME: PV Ø4.0 Cable Male Connector PRODUCT NUMBER: SY-MC4-1B
Dimension	Tolerance																							
30.00-60.00	±0.05																							
60.00-90.00	±0.05																							
90.00-120.00	±0.05																							
120.00~	±0.05																							
Angle																								
0-60°	±0.05																							
60°~	±0.05																							
3	SY-TC4B-S01-00	Ø10.5*7.0 Waterproof Ring(For 4~6MM ² Cable)	1	Black	Silicone																			
2	SY-TC4A-P01-00	Ø15 Turncap	1	Black	PPO																			
1	SY-MC4-2-M02-00	Ø4 Male Terminal	1	White	Copper																			
No.	Product No.	Product Name	Q'TY	Colour	Material																			



6	SY-MC4-2-S01-00	Ø10*1.5"O" Ring	1	Red	Silicone
5	SY-MC4-1-P01-00	Ø4.0 Cable Male Connector Housing	1	Black	PPO
4	SY-TC4B-S01-00	Ø10.5*7.0 Waterproof Ring(For 4~6MM ² Cable)	1	Black	Silicone
3	SY-TC4A-P01-00	Ø15 Turncap	1	Black	PPO
2	SY-TC4A-M02-00	Ø4 Drum Terminal	1	White	Beryllium Bronze
1	SY-MC4A-M01-00	Ø4 Female Terminal	1	White	Copper
No.	Product No.	Product Name	Q'TY	Colour	Material

Dimension	Tolerance	LEADER TECHNOLOGY (SHENZHEN) CO.,LTMITED	
30.00~60.00	±0.05	APVD:	NAME: PV Ø4.0 Cable Female Connector
60.00~90.00	±0.05	CHK:	PRODUCT NUMBER: SY-MC4-1A
90.00~120.00	±0.05		
120.00~	±0.05	DWN:	
Angle		Units: Size: SCALE: SHEET BLATT: REV:	
0~60°	±0.05	MM	A4 / 1 OF 1 A
60°~	±0.05		