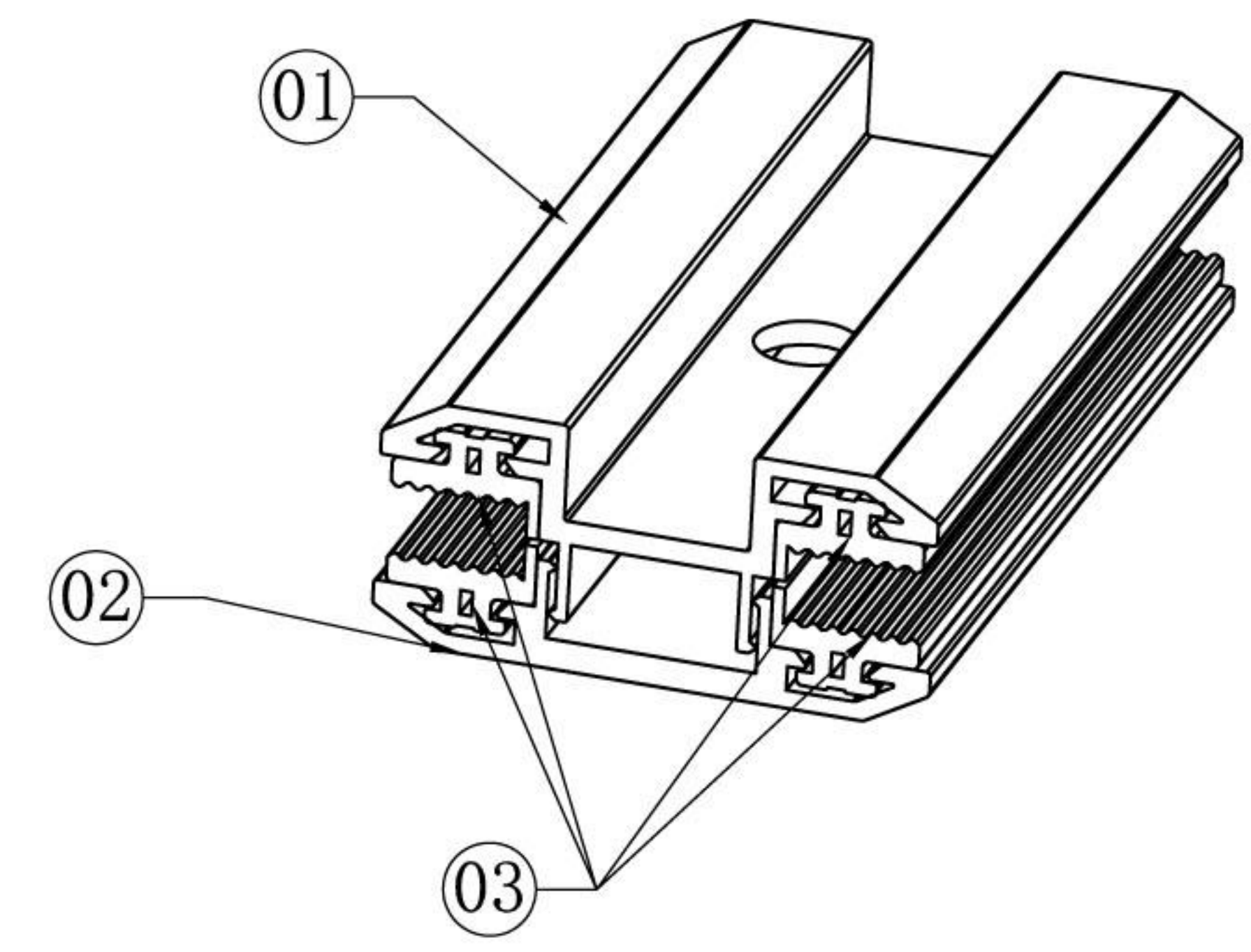
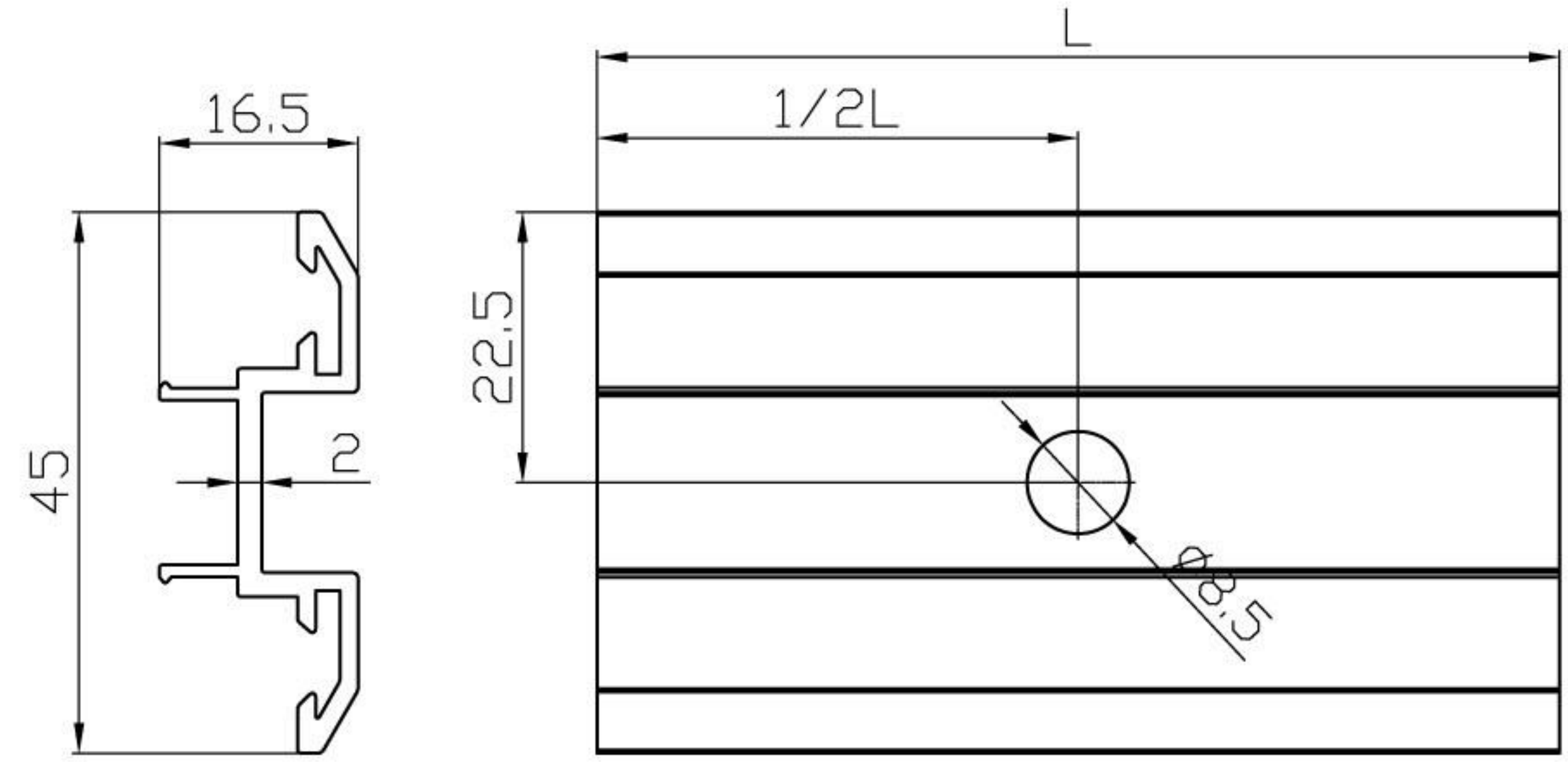


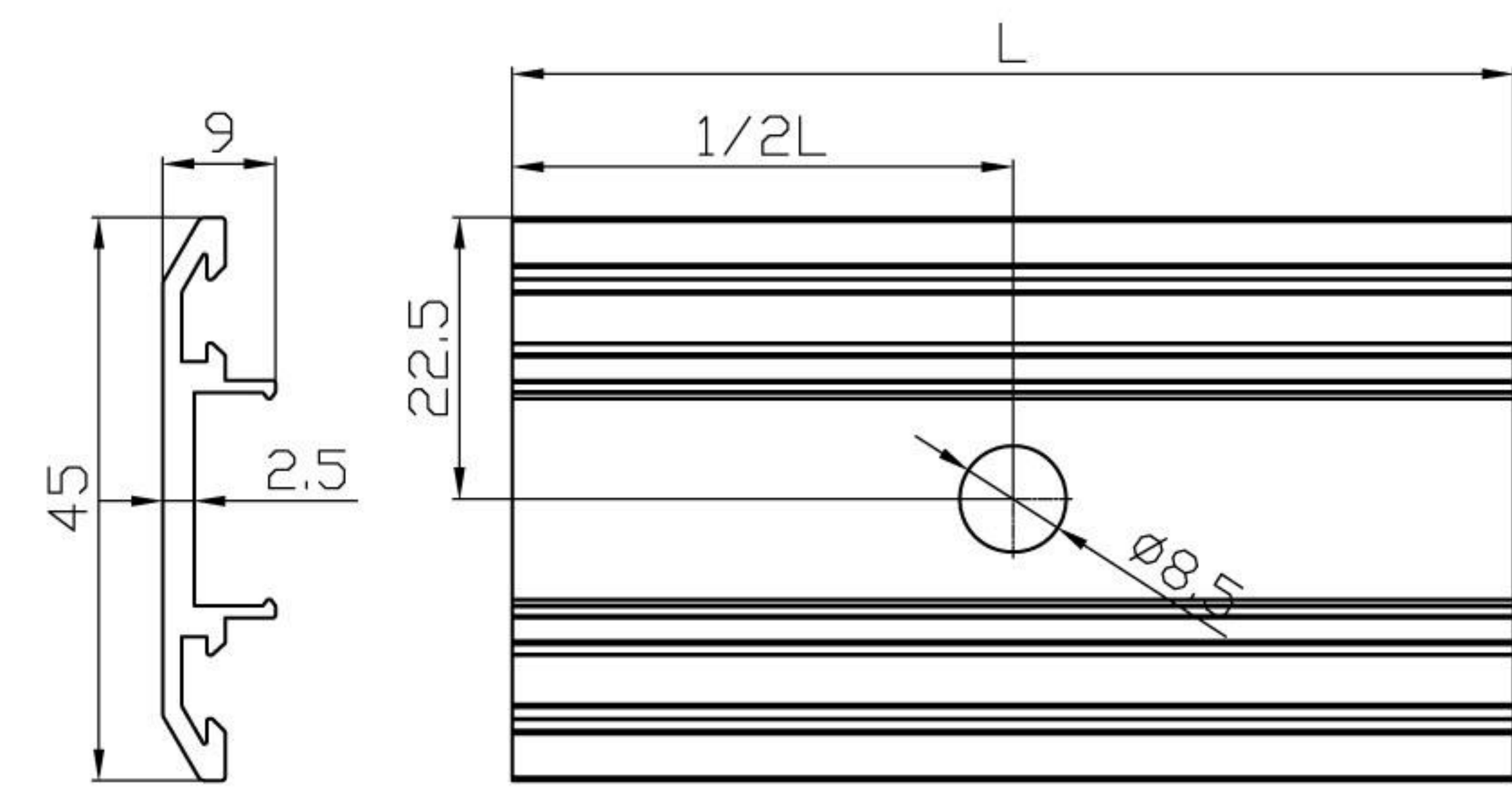
01



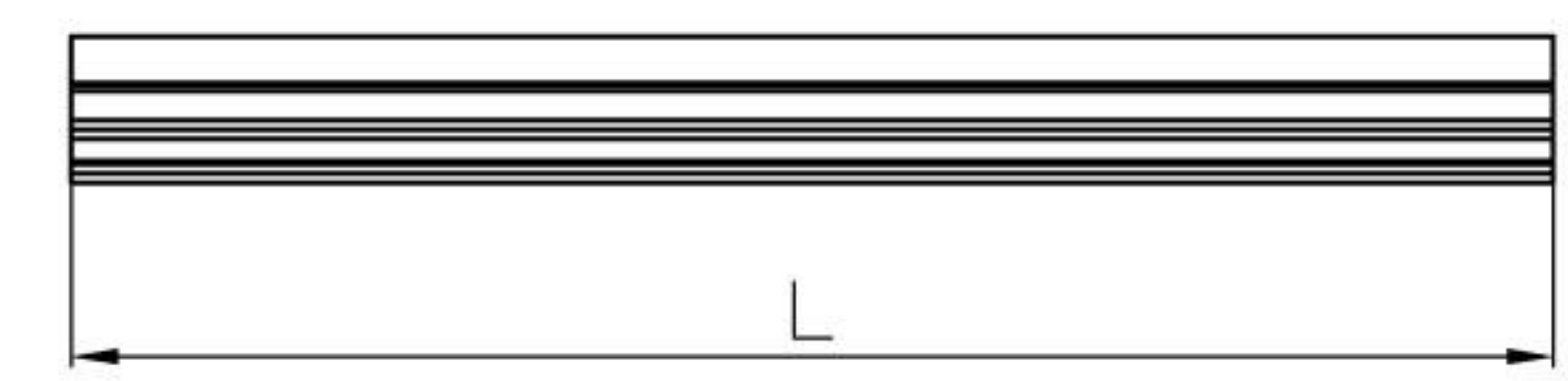
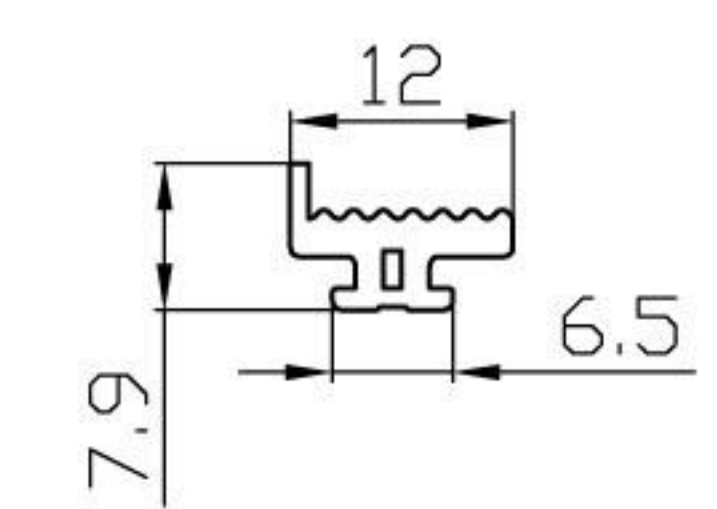
■ (SPEC)

NO	Model	L (mm)
01	UI-IC-Type3-60	60
02	UI-IC-Type3-70	70
03	UI-IC-Type3-80	80
04	UI-IC-Type3-100	100
05	UI-IC-Type3-120	120
06	UI-IC-Type3-130	130
07	UI-IC-Type3-150	150
08	UI-IC-Type3-200	200

02



03



B	No	Changes and/or note no.-nr	Date	Change By

Scale N.S.T	Drawn by	Project UI-IC-Type3	Weight kg	Volume l
Date 2017-09-19	App by	Code	Sheet	of
Solar Land Energy Co.		Draw. no.		Rev.