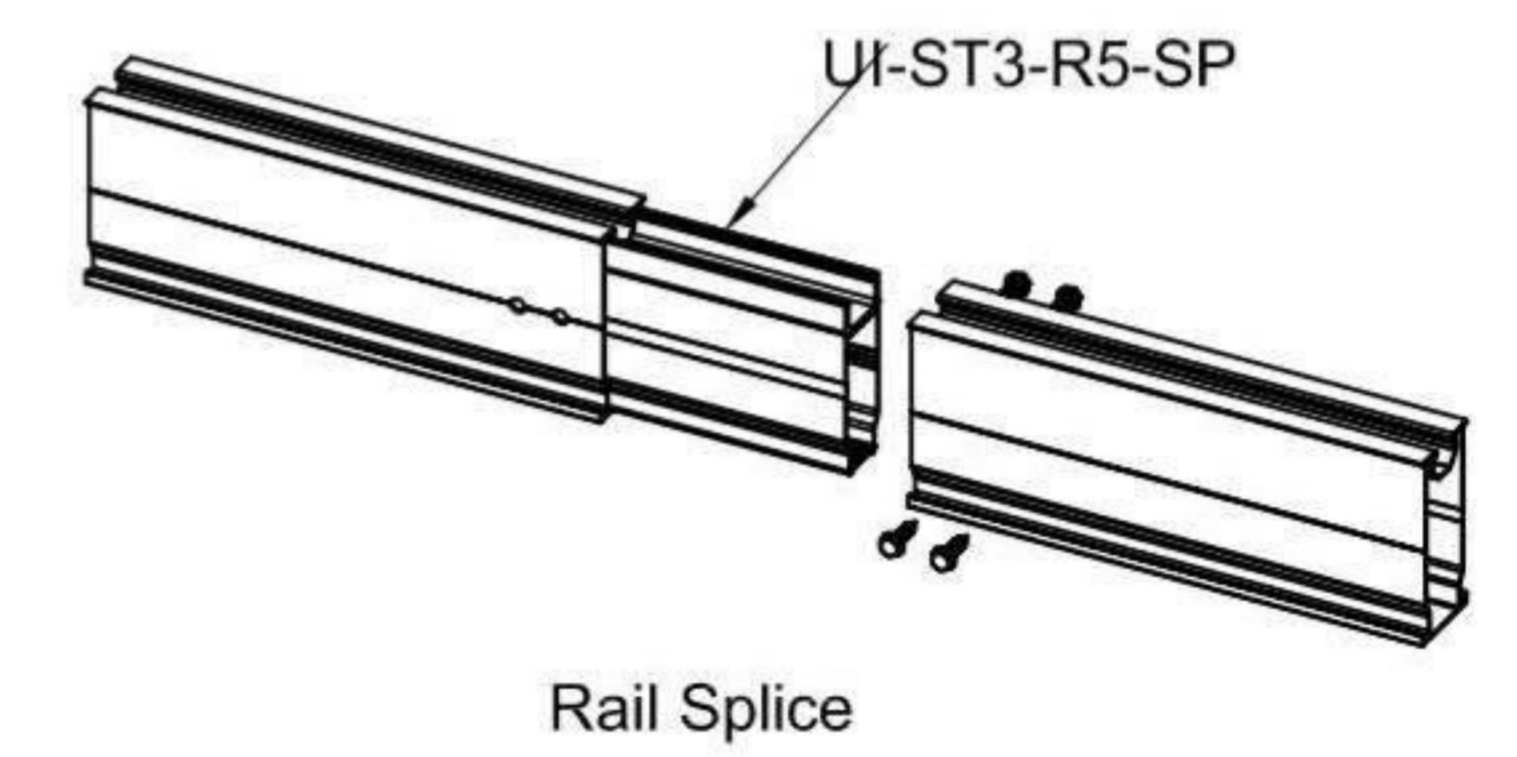
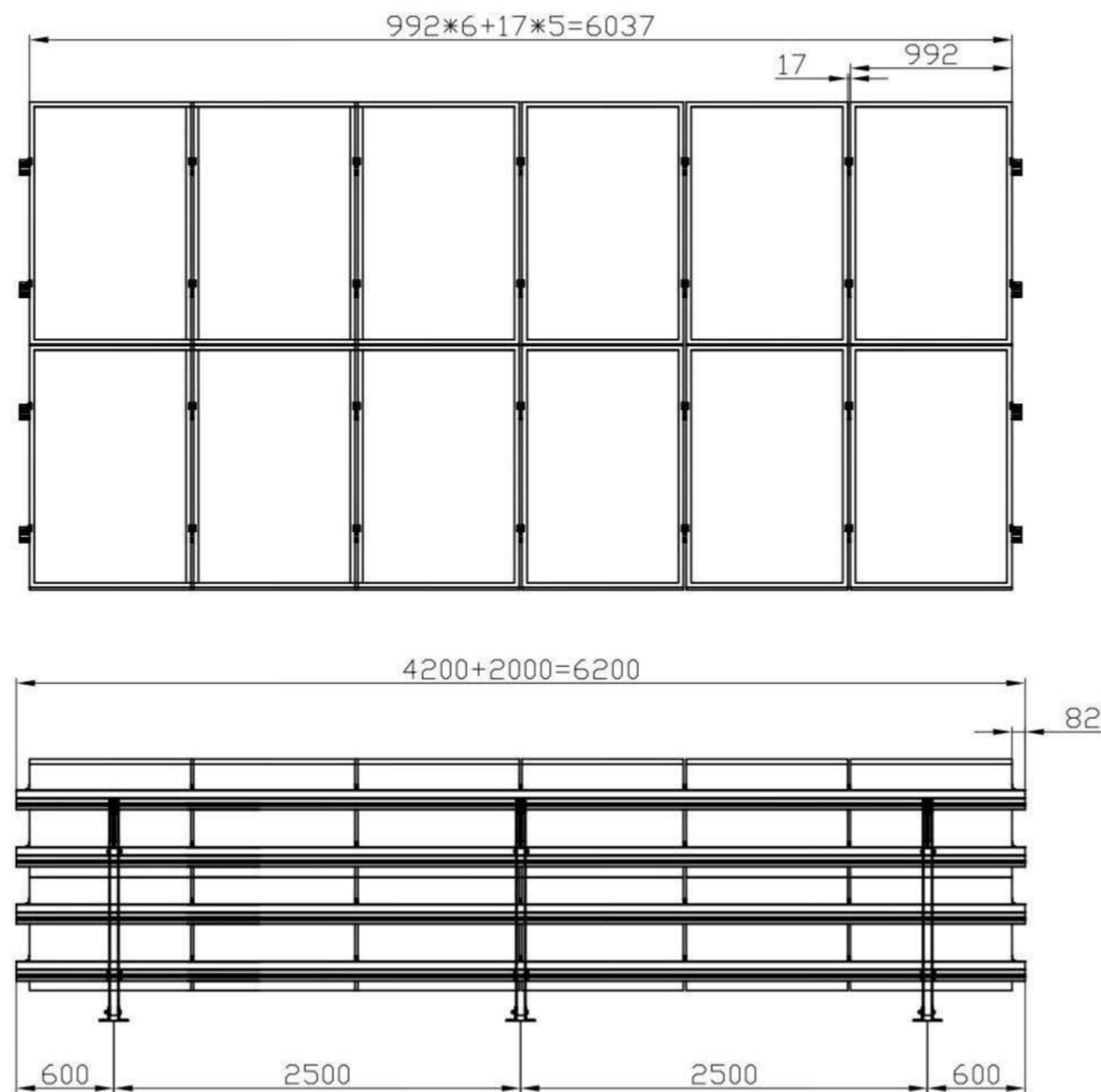
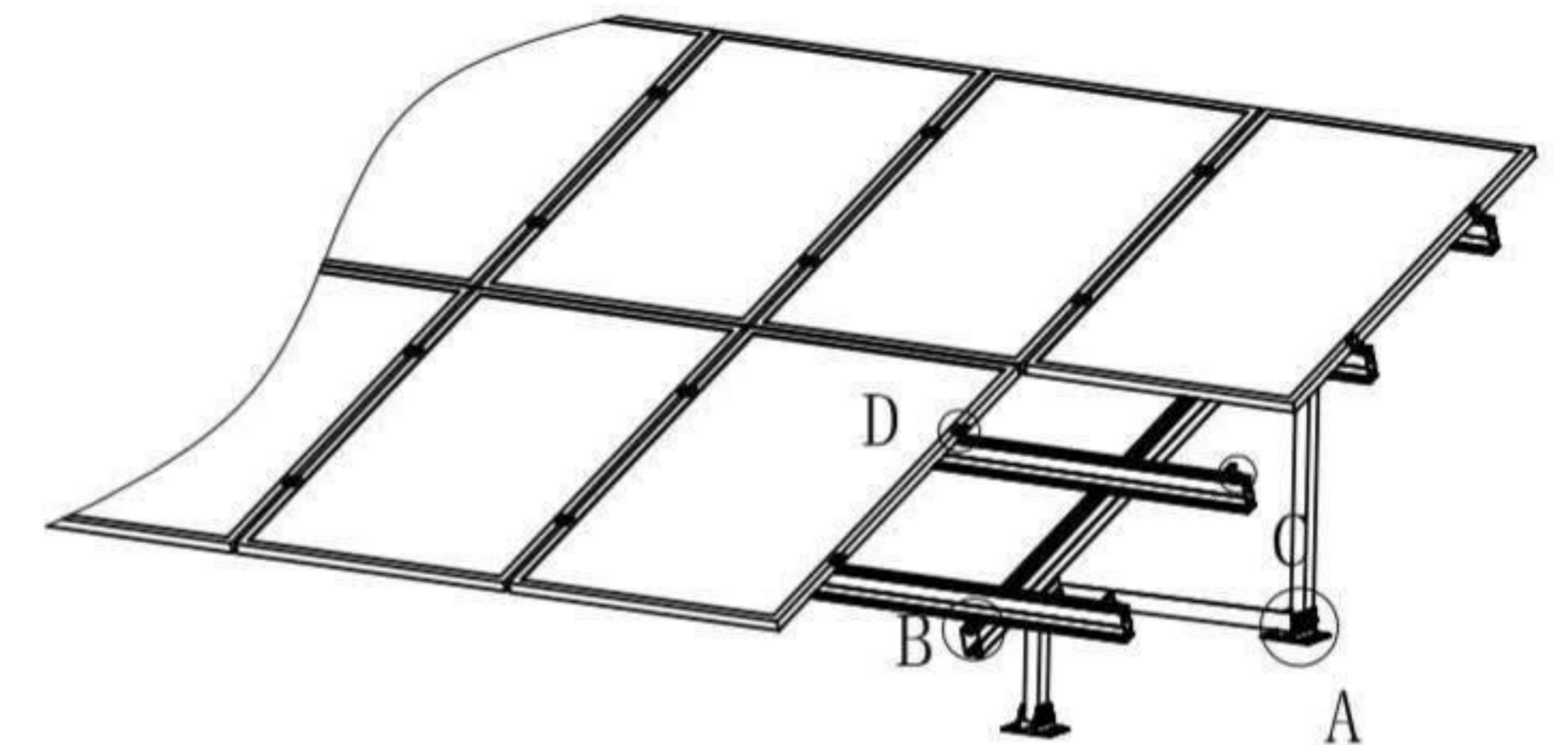
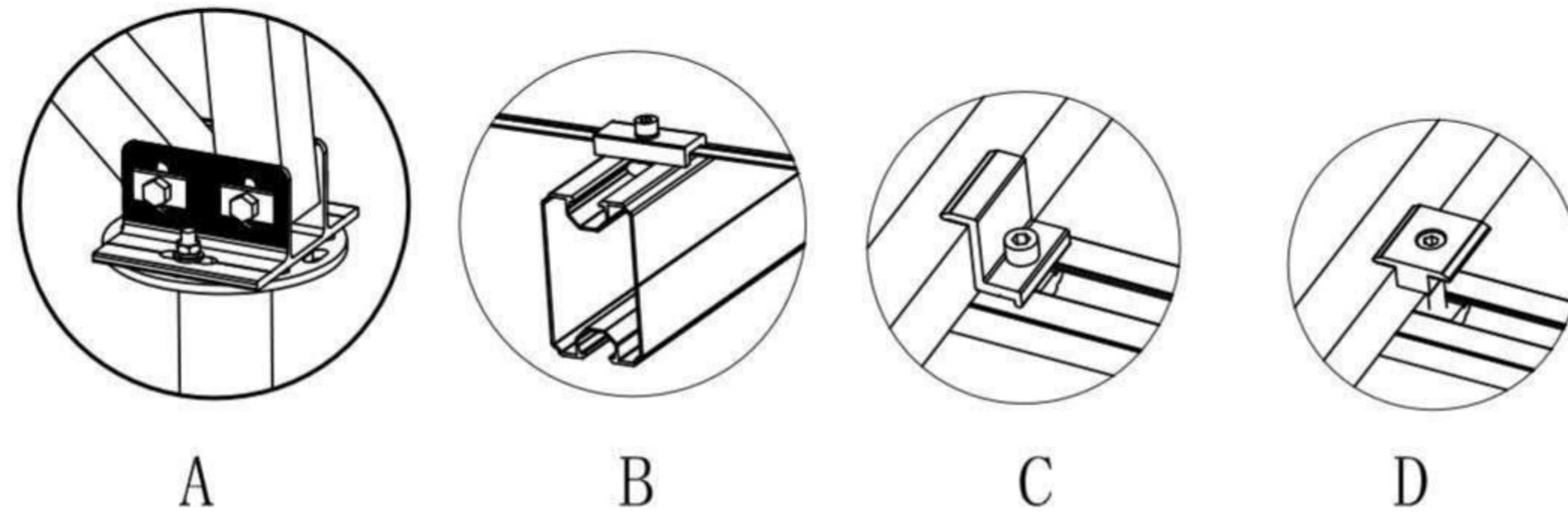


WORKING COPY
THROWN AWAY AFTER USE

NO.	ITEM NO.	SPEC.	QTY. (PCS)
01	UI-R5-4200	5-75# 4200mm	4
02	UI-R5-2000	5-75# 2000mm	4
03	UI-ST3-R5-SP	5-75# 200mm	4
04	UI-IC-40	40mm	20
05	UI-EC-40	40mm	8
06	UI-ST3F-FL250	50*50*250mm	3
07	UI-ST3F-RL1028	50*50*1028mm	3
08	UI-ST3F-FLA	单孔 80mm	3
09	UI-ST3F-LA	双孔 140mm	3
10	UI-ST3F-Rack 80-50*50	2700/1575mm	3
11	UI-Clamp-F	40mm	24



Rail Splice

B	No	Changes and/or note no.-nr	Date	Change By

Scale	Drawn by	Project	Weight	kg	Volume	l
N.S.T	Qing	Customized ST3F luminum Ground Mount system				
Date	App by	Module Size: 1640*992*40 mm 2*6 PCS / SET	Code		Sheet	of
2017-12-13			Draw. no.	UI-171213-013-01		Rev.
Solar Land Energy Co.		Wind Load: 60 m/s Snow Load: / cm				