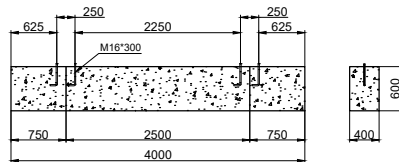
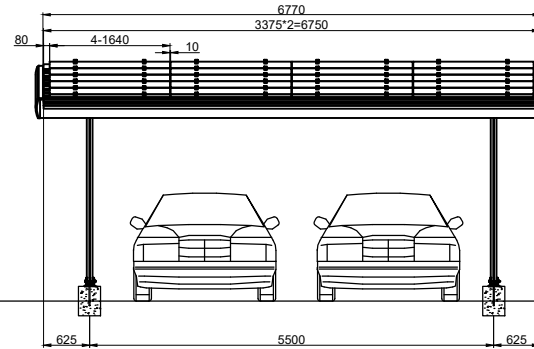
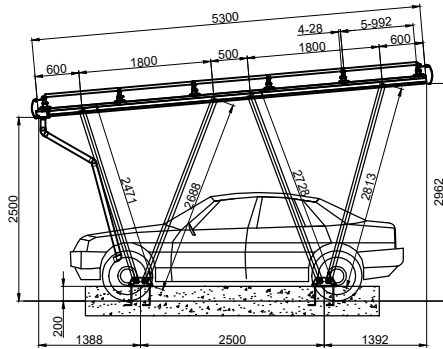


WORKING COPY
 THROWN AWAY AFTER USE



13	UN-WS	L2750+2650	10	Q235
12	UN-MP	L5300	4	AI 6005-T5
11	UN-WCC	L257	4	AI 6005-T5
10	UN-WD-FR	L2500+2500+1770	2	AI 6005-T5
9	UN-WD-LR	L2650+2650	2	AI 6005-T5
8	UN-WP	L180+750+1300	1	PVC
7	UN-WC	L3000*2+750	1	PVC
6	UN-IC-40(5A)	L40	32	AI 6005-T5
5	UN-EC-40(5A)	L40	16	AI 6005-T5
4	UN-RC11-SPLICE	L400	6	AI 6005-T5
3_1	UN-RC-11	L3375	12	AI 6005-T5
2	UN-Clamp-F	L40	48	AI 6005-T5
1	UN-STC-R110	L5300	2	AI 6005-T5
Item	Part Name	Spec.	Qty	Material

N.S.T	Chris	Car Park System		Weight	kg
Date	App by	Module Size: 1640*992*140 mm 5*4 PCS / SET		Code	Sheet of
2018-04-16		Wind Load: 40 m/s Snow Load: / cm		Draw. no.	Rev.
				UI-180403-001-01	



B	No	Changes and/or note no.-nr	Date	Change By